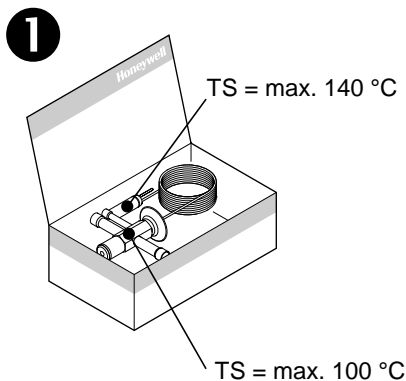
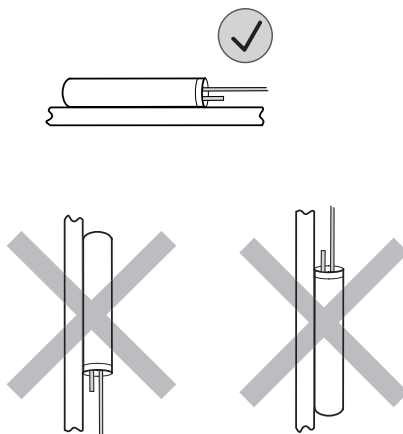
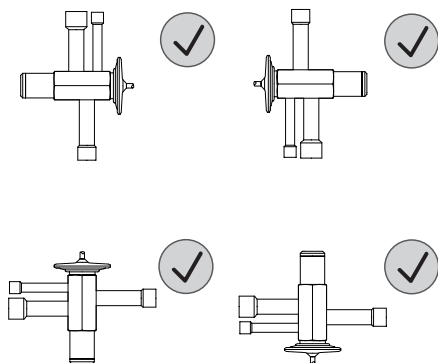
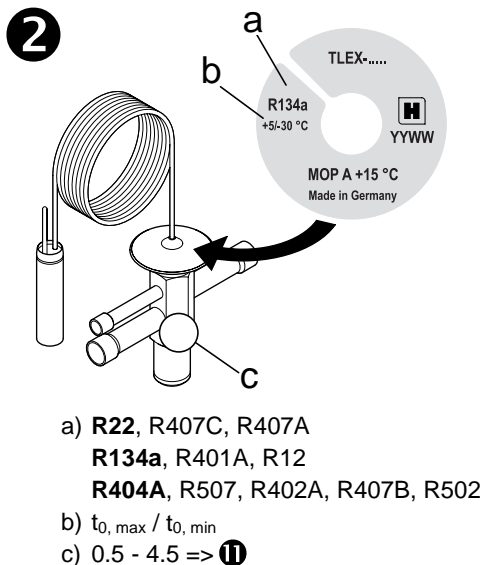


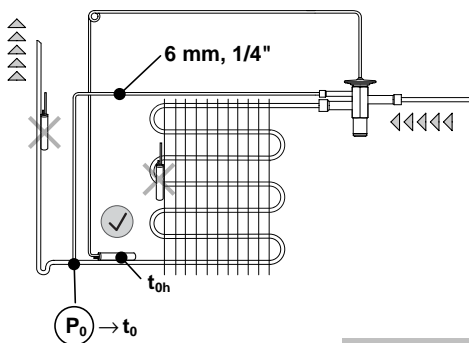
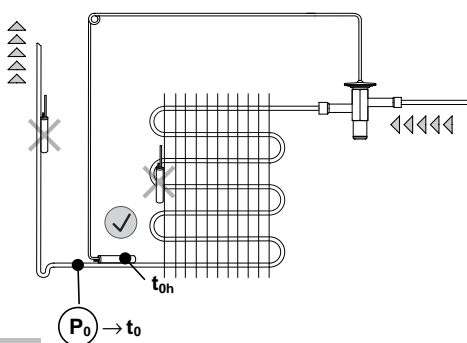
TLE(X) 0.5-4.5, TBE(X) 0.5-4.5, TOE(X) 0.5-4.5

Einbau-Anleitung • Installation instructions • Instructions de montage
Istruzioni per il montaggio • Instrucciones de instalación



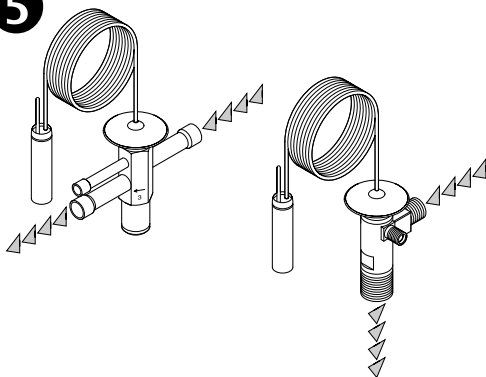
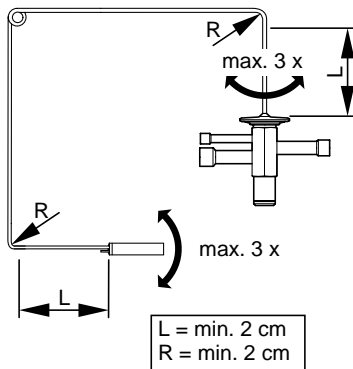
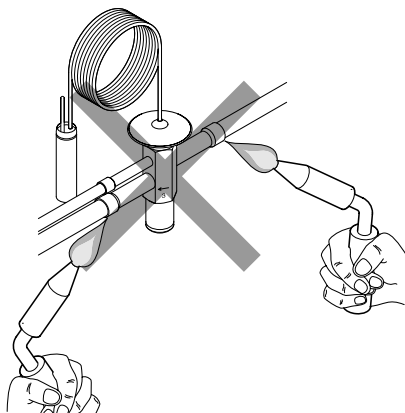
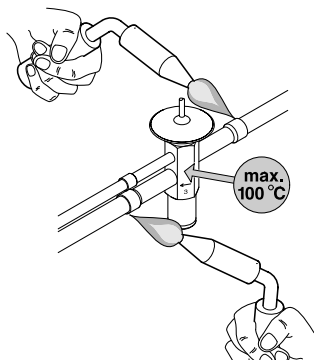
PS = max. 29 bar
P_{test} = max. 32 bar
 $\Delta t_{oh, stat} \approx 3 \text{ K}$

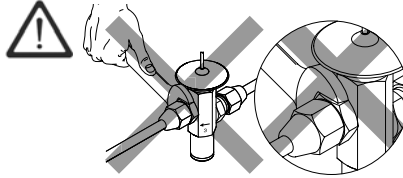
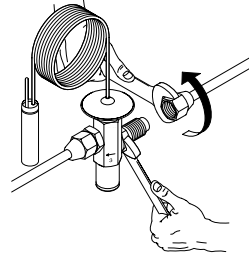
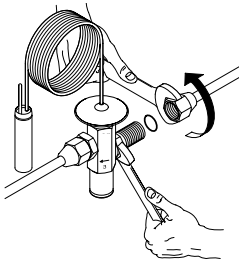
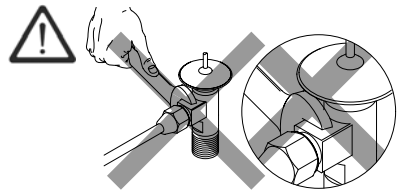
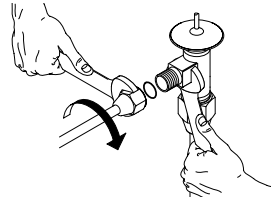
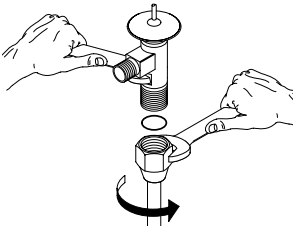
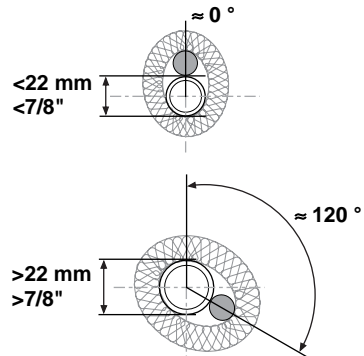
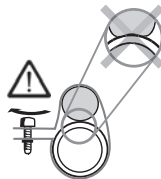
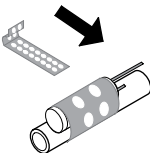
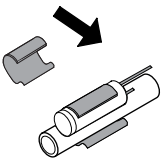


4**TLEX, TBEX, TOEX****TLE, TBE, TOE**

$$\Delta t_{0h} = t_{0h} - t_0$$

$$\Delta t_{0h} \neq \text{ok} \Rightarrow \text{Ⓢ}$$

5**6****7****A.) TLE, TLEX**

7**B.) TOE(X)-D****TBE(X)-D****7****C.) TOEX-W (TBEX-W)****8**

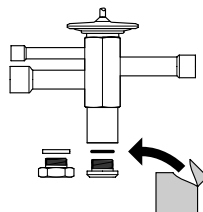
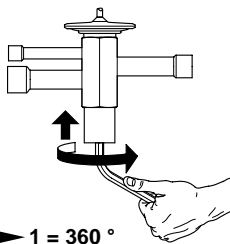
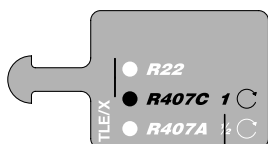
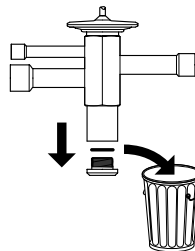
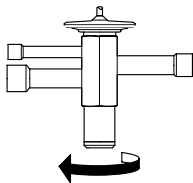
9

TLE(X), TBE(X)-D, TOE(X)-D

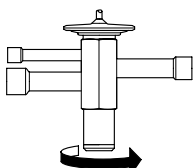
R22 → R407C, R407A

R134a → R401A, R12

R404A → R507, R402A, R407B, R502

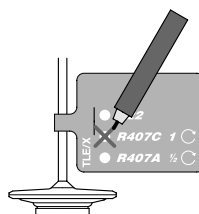


ZE-00017 = Cu-Ring
ZE-00015 = O-Ring



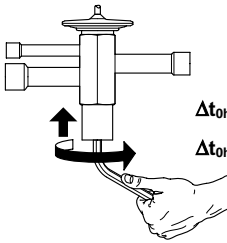
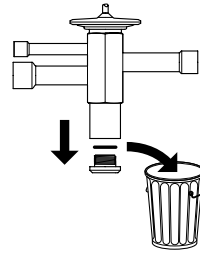
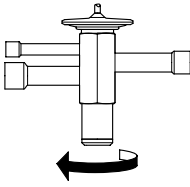
= 8 Nm



= 20 Nm



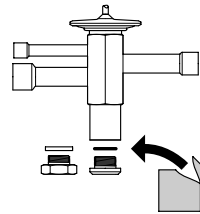
10

$\Delta t_{oh} \neq ok$

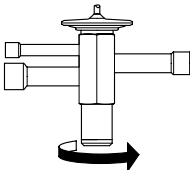




$\Delta t_{oh} \uparrow$ 
 $\Delta t_{oh} \downarrow$  360°

$\approx 0,25 \text{ bar}$
 $\approx 0,30 \text{ bar (R410A)}$
MOP +15...-20 °C



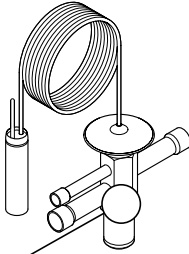
ZE-00017 = Cu-Ring
ZE-00015 = O-Ring



 = 8 Nm
 = 20 Nm



$\Delta t_{oh} \uparrow \Rightarrow \text{MOP} \downarrow$
 $\Delta t_{oh} \downarrow \Rightarrow \text{MOP} \uparrow$

11

	Q ₀ [kW]										
	R22	R407C	R407A	R134a	R401A	R12	R404A	R507	R402A	R407B	R502
0.5	1.0	1.0	1.0	0.65	0.75	0.5	0.7	0.7	0.73	0.8	0.65
0.7	1.3	1.3	1.3	0.9	1.0	0.7	1.0	1.0	1.0	1.1	0.9
1.0	1.9	1.9	1.9	1.3	1.5	1.0	1.5	1.5	1.5	1.6	1.4
1.5	3.1	3.1	3.1	2.1	2.4	1.7	2.3	2.3	2.4	2.5	2.2
2.0	3.9	3.9	3.9	2.7	3.1	2.1	2.9	2.9	3.0	3.2	2.8
2.5	5.6	5.6	5.6	3.8	4.4	2.9	4.2	4.2	4.3	4.6	4.0
3.0	8.9	8.9	8.9	6.2	7.1	5.3	6.7	6.7	6.9	7.3	6.4
3.5	11.7	11.7	11.7	8.2	9.3	6.1	8.8	8.8	9.0	9.6	8.6
4.5	16.3	16.3	16.3	11.1	13.0	9.3	12.3	12.3	12.6	13.4	11.4

$t_0 = -10\text{ °C}$, $t_c = +25\text{ °C}$, $\Delta t_{c2u} = 1\text{ K}$

Honeywell

Automation and Control Solutions

Honeywell GmbH

Hardhofweg • 74821 Mosbach / Germany

Phone: +49 (0) 62 61 / 81-475

Fax: +49 (0) 62 61 / 81-461

E-Mail: Cooling.Mosbach@honeywell.com

www.honeywell-cooling.com